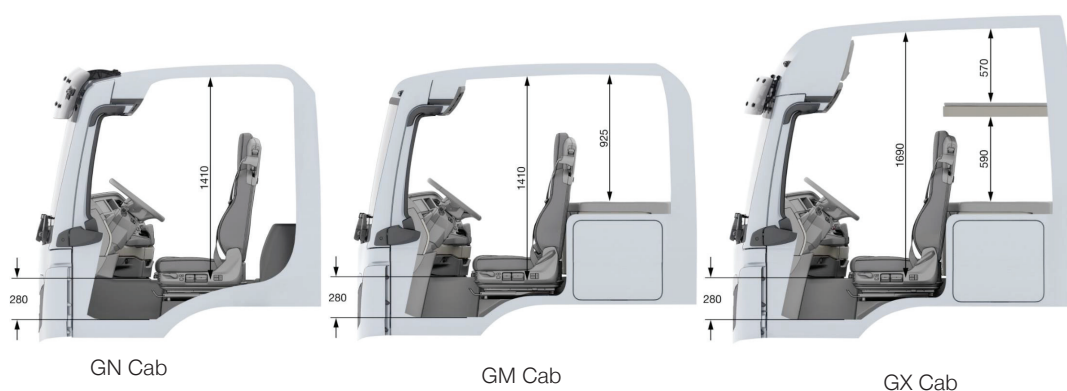


TGX



CAB VARIANTS

	GN: WIDE, LONG, STANDARD HEIGHT	GM: WIDE, LONG, MEDIUM HEIGHT	GX: WIDE, LONG, EXTRA HEIGHT
EXTERNAL LENGTH (mm)	2,280	2,280	2,280
EXTERNAL WIDTH (mm)	2,440	2,440	2,440
INTERIOR LENGTH (mm)	2,145	2,145	2,145
INTERIOR WIDTH (mm)	2,270	2,270	2,270
ENGINE TUNNEL HEIGHT (mm)	120	120	120
STANDING HEIGHT IN FRONT OF THE CO-DRIVER'S SEAT (mm)	1,660	1,940	2,150
HEIGHT ABOVE ENGINE TUNNEL (mm)	1,580	1,860	2,070
SLEEPER MEASUREMENTS (W×L) (mm)	800 × 2,000	800 × 2,000	800 × 2,000
BUNK CAPACITY	1	(max.) 2	(max.) 2
SEATING CAPACITY	2	2	2



- Optional
- ✓ Standard
- N/A



CAB EXTERIOR

	ELITE	PREMIUM
FRAME, PAINT – GRAPHITE BLACK – RAL 9011	✓	✓
EXTERNAL CAB, FRONT BUMPER, SIDE TRIMS – PAINT – TRAFFIC WHITE – RAL 9016	✓	✓
ALCOA ALLOY WHEELS – 22.5" – LVL ONE®	✓	✓
CAB TILT MECHANISM – 1 BUTTON – ELECTRIC-ACTUATED HYDRAULIC ARM	✓	✓
LIFTING/TILT ROOF HATCH – ELECTRIC – GLASS	✓	• (manual; steel)
WIPER ACTIVATION, AUTOMATIC, WITH RAIN SENSOR (AUTOMATIC WIPERS)	✓	✓
LED LIGHTING – FRONT HEADLIGHTS, DIPPED, HIGH BEAM & DAYTIME RUNNING LIGHTS (DRL), FOG LIGHTS, CORNERING LIGHT, INDICATOR TURN SIGNALS, REAR TAILLIGHTS	✓	✓
ASSISTED AUTOMATIC HIGH-BEAM HEADLIGHT AUTO-DIP FUNCTION	✓	✓
DRIVING-LIGHT CONTROL, AUTOMATIC WITH LIGHT SENSOR	✓	✓
EXTERIOR REAR-VIEW MIRROR ELECTRIC, MAIN & SPOTTER WITH MANOEUVRING AID, HEATED	✓	✓
KERB MIRROR LH, ELECTRIC & HEATED, FRONT LH CONVEX SPOTTER MIRROR, ADJUSTABLE	✓	✓
AERODYNAMICALLY ENHANCED EXTERIOR SUN VISOR	✓	✓



CAB INTERIOR

	ELITE	PREMIUM
MULTI-FUNCTION STEERING WHEEL, TILT AND TELESCOPIC WITH 0° PARK POSITION	✓	✓
INSTRUMENT CLUSTER, FULLY DIGITAL PROFESSIONAL – 12.3" SCREEN ¹	✓	•
INSTRUMENT CLUSTER, ANALOG DIALS – 5" CENTRE DIGITAL INFO SCREEN	-	✓
COMFORT DRIVER'S SEAT, AIR-SPRUNG, WITH LUMBAR SUPPORT AND SHOULDER ADJUSTMENT WITH DUAL LEVEL SEAT HEATING	✓	✓
VARIO CO-DRIVER'S SEAT, ROTATING & FOLDABLE, STATIC	✓	•
AIR-CONDITIONING SYSTEM, AUTOMATIC – CLIMATRONIC	✓	✓
MAN INFOTAINMENT PROFESSIONAL MEDIA SYSTEM – FULL 12.3" SCREEN ¹ WITH NEW ZEALAND MAP & BLUETOOTH® MUSIC STREAMING AND HANDS-FREE FUNCTIONALITY	✓	•
MAN ADVANCE 7-SPEAKER SOUND SYSTEM WITH SUBWOOFER	✓	•
MAN SMARTSELECT INFOTAINMENT CONTROL WITH TOUCHPAD AND DIRECT ACCESS BUTTONS	✓	✓
MAN CONTROL PANEL EASYCONTROL, OPERABLE FROM OUTSIDE WITH DOOR OPEN	✓	✓
WINDSCREEN ROLLER BLIND – INTERNAL – ELECTRIC	✓	✓
PULL-OUT TRAY TABLE, CO-DRIVER'S SIDE	✓	•
FRIDGE, PULL OUT & SPACIOUS CONVENIENT STORAGE DRAWERS – CENTRE	✓	✓
110 mm COMFORT MATTRESS, SLATTED SUPPORT BASE	✓ (adjustable head section)	✓
STOWAGE COMPARTMENT, CAB REAR WALL, WITH REMOTE CONTROL, WIRED ¹	✓	•

¹Standard on TGX 26.640 Premium

- Optional
- ✓ Standard
- N/A





WHEELBASE OPTIONS

CONFIGURATION	TRACTOR	RIGID
4 × 2	• 3,600 • 3,900	• 3,600 • 3,900 • 4,200 • 4,500 • 4,800 • 5,100 • 5,500 • 5,900 • 6,300 • 6,700
6 × 4	• 3,200 • 3,300 • 3,600 • 3,900	• 3,900 • 4,800 • 4,200 • 4,500 • 5,100

All measurements in mm – Euro WB shown – NZ twin drive-axle + 675 mm



ENGINE & PERFORMANCE DATA

ENGINE SERIES	CYLINDER, DESIGN	DISPLACEMENT [LITRE]	PERFORMANCE [HP (KW)]	MAX TORQUE (NM)	EURO 6
D3876	6, in-line	15.2	640 (471)	3,000	✓
			580 (427)	2,900	
			540 (397)	2,700	
D2676		12.4	510 (382)	2,650	
			480 (353)	2,450	
			440 (324)	2,250	
D1556		9.0	400 (294)	1,800	
			360 (265)	1,700	
			330 (243)	1,600	



DRIVETRAIN

GEARBOX	GEARBOX RETARDER 35		FRONT AXLE OPTIONS	REAR AXLE OPTIONS	AXLE RATIO OPTIONS
✓ Tipmatic 12-speed OD	Elite	Premium	✓ Dropped	✓ Hypoid	✓ 3.08 • 3.36 • 3.70
	✓	•	• Straight	• Planetary	



CHASSIS

SUSPENSION FRONT OPTIONS	SUSPENSION REAR OPTIONS	TYRES OPTIONS	
✓ Parabolic Leaf with stabilizer bar • Airbag ECAS	✓ Airbag ECAS • Parabolic multi-Leaf with stabilizer bar	Front (Steer)	Rear (Drive)
		275/70R22.5	275/70R22.5
		385/55R22.5	295/80R22.5
		385/65R22.5	11R22.5



FACTORY WARRANTY

ON-HIGHWAY APPLICATIONS	ELITE	PREMIUM
36 MONTHS / 450,000 KM ENTIRE VEHICLE	✓	✓
COMPETITIVE REPAIR AND MAINTENANCE SERVICE CONTRACT OPTIONS	•	•
VARIOUS EXTENDED WARRANTY OPTIONS	•	•

- Optional
- ✓ Standard
- N/A





GVM & GCM

	CONFIGURATION	TRACTOR	RIGID
GROSS VEHICLE MASS (GVM) – MAXIMUM	4 × 2	18,000 kg	18,000 kg
	6 × 4	26,000 kg	26,000 kg
GROSS COMBINATION MASS (GCM) – MAXIMUM	4 × 2	46,000 kg	46,000 kg
	6 × 4	• 66,000 kg –70,000 kg	

•Dependent on horsepower rating



SAFETY FEATURES

	ELITE	PREMIUM
LANE GUARD SYSTEM (LGS)	✓	✓
LANE CHANGE SUPPORT (LCS) & TURN ASSIST	✓	✓
ADVANCED EMERGENCY BRAKE ASSIST (EBA)	✓	✓
EMERGENCY BRAKING SIGNAL (ESS)	✓	✓
ADAPTIVE CRUISE CONTROL (ACC)	✓	✓
ELECTRONIC BRAKE SYSTEM (EBS)	✓	✓
ANTI-LOCK BRAKING SYSTEM (ABS)	✓	✓
ANTI-SLIP CONTROL (ASR)	✓	✓
ELECTRONIC STABILITY PROGRAM (ESP)	✓	✓
ACOUSTIC REVERSING WARNING SYSTEM – 73 DB	✓	✓
DRIVER'S AIRBAG WITH SEATBELT PRE-TENSIONER (SRS)	✓	✓

- Optional
- ✓ Standard
- N/A





CHASSIS DIMENSIONS AND WEIGHTS

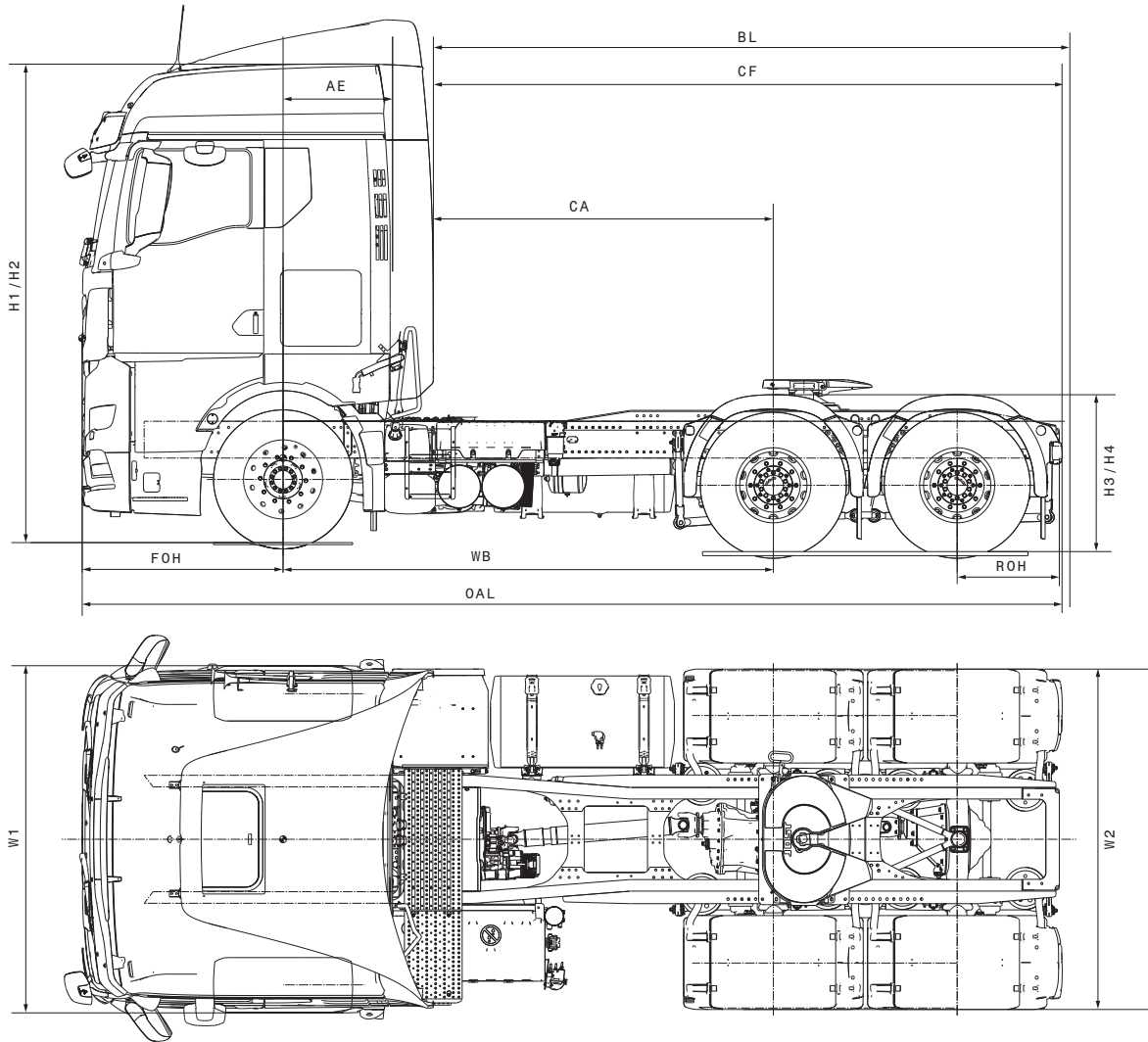


Illustration shows TGX 26.xxx 3600 BL SA GM





CHASSIS DIMENSIONS AND WEIGHTS

WHEELBASE (mm)	NZ WB (mm)	GN: WIDE, LONG, STANDARD			GM: WIDE, LONG, MEDIUM HIGH			GX: WIDE, LONG, EXTRA HIGH			TURNING RADIUS		
		CAB WEIGHTS										Kerb to Kerb (m)	Wall to Wall (m)
		Front (kg)	Rear (kg)	Total (kg)	Front (kg)	Rear (kg)	Total (kg)	Front (kg)	Rear (kg)	Total (kg)			
3,600	4,275	5,843	3,726	9,569	5,845	3,721	9,566	5,862	3,725	9,587	17.6	19.3	
5,100	5,775	5,738	3,844	9,582	5,747	3,908	9,665	5,765	3,991	9,676	21.7	23.4	

GN CABIN: CHASSIS DIMENSIONS							EMPTY (mm)	LOADED (mm)	EMPTY (mm)	LOADED (mm)		
Wheelbase (mm)	NZ WB (mm)	FOH	NZ ROH	OAL	CA	CF	H1	H2	H3	H4	W1	W2
3,600	4,275	1,475	1,425	7,175	2,721	4,617	3,256	3,158	959	929	2,550	2,500
5,100	5,775	1,475	3,475	10,725	-	8,146	3,256	3,158	959	929	2,550	2,500

GM CABIN: CHASSIS DIMENSIONS							EMPTY (mm)	LOADED (mm)	EMPTY (mm)	LOADED (mm)		
Wheelbase (mm)	NZ WB (mm)	FOH	NZ ROH	OAL	CA	CF	H1	H2	H3	H4	W1	W2
3,600	4,275	1,475	1,425	7,175	2,721	4,617	3,536	3,438	959	929	2,550	2,500
5,100	5,775	1,475	3,475	10,725	-	8,146	3,536	3,438	959	929	2,550	2,500

GX CABIN: CHASSIS DIMENSIONS							EMPTY (mm)	LOADED (mm)	EMPTY (mm)	LOADED (mm)		
Wheelbase (mm)	NZ WB (mm)	FOH	NZ ROH	OAL	CA	CF	H1	H2	H3	H4	W1	W2
3,600	4,275	1,475	1,425	7,175	2,721	4,617	3,746	3,648	959	929	2,550	2,500
5,100	5,775	1,475	3,475	10,725	-	8,146	3,746	3,648	959	929	2,550	2,500

All above weights and dimensions are subject to confirmation and may vary depending on final specification.
Manufacturing tolerances $\pm 3\%$

All information and specifications are correct at the time of printing. Information and specifications are subject to change without notice.
Some images are for illustrative purposes only and may not reflect the local product. For current information, please consult your MAN sales professional.

- Optional
- ✓ Standard
- N/A

